



64K × 8 HIGH SPEED CMOS STATIC RAM

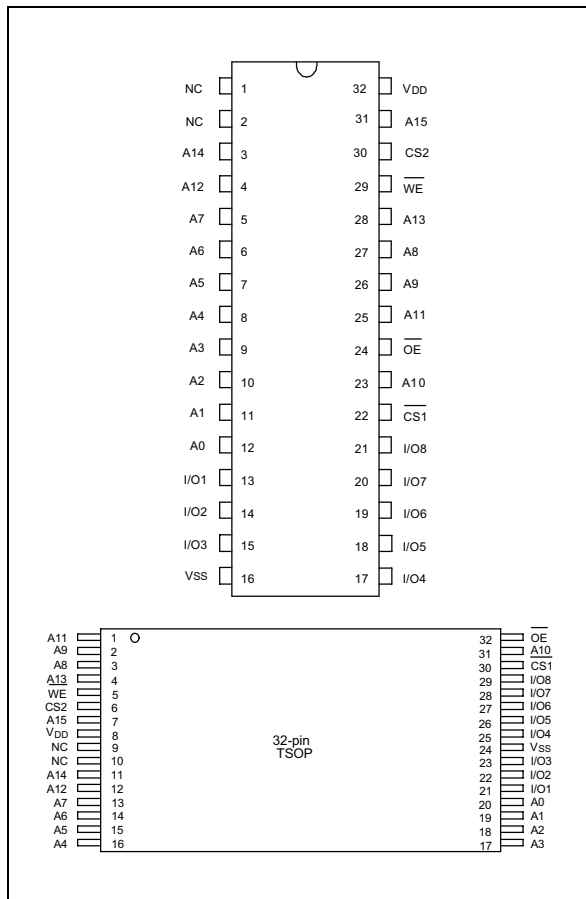
GENERAL DESCRIPTION

The W24512A is a high speed, low power CMOS static RAM organized as 65536 × 8 bits that operates on a single 5-volt power supply. This device is manufactured using Winbond's high performance CMOS technology.

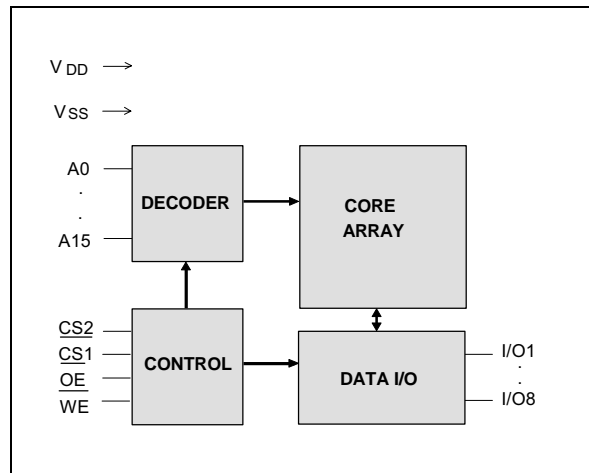
FEATURES

- High speed access time: 15/20/25/35 nS (max.)
- Low power consumption:
 - Active: 500 mW (typ.)
- Single +5V power supply
- Fully static operation
- All inputs and outputs directly TTL compatible
- Three-state outputs
- Available packages: 32-pin 300 mil SOJ, skinny DIP, 450 mil SOP, and standard type one TSOP

PIN CONFIGURATIONS



BLOCK DIAGRAM



PIN DESCRIPTION

SYMBOL	DESCRIPTION
A0–A15	Address Inputs
I/O1–I/O8	Data Inputs/Outputs
CS1, CS2	Chip Select Inputs
\overline{WE}	Write Enable Input
\overline{OE}	Output Enable Input
VDD	Power Supply
VSS	Ground
NC	No Connection



TRUTH TABLE

$\overline{CS1}$	CS2	\overline{OE}	\overline{WE}	MODE	I/O1–I/O8	V _{DD} CURRENT
H	X	X	X	Not Selected	High Z	I _{SB} , I _{SB1}
X	L	X	X	Not Selected	High Z	I _{SB} , I _{SB1}
L	H	H	H	Output Disable	High Z	I _{DD}
L	H	L	H	Read	Data Out	I _{DD}
L	H	X	L	Write	Data In	I _{DD}

DC CHARACTERISTICS

Absolute Maximum Ratings

PARAMETER	RATING	UNIT
Supply Voltage to V _{SS} Potential	-0.5 to +7.0	V
Input/Output to V _{SS} Potential	-0.5 to V _{DD} +0.5	V
Allowable Power Dissipation	1.0	W
Storage Temperature	-65 to +150	°C
Operating Temperature	0 to +70	°C

Note: Exposure to conditions beyond those listed under Absolute Maximum Ratings may adversely affect the life and reliability of the device.

Operating Characteristics

(V_{DD} = 5V ±10%, V_{SS} = 0V, T_A = 0 to 70° C)

PARAMETER	SYM.	TEST CONDITIONS	MIN.	TYP.	MAX.	UNIT	
Input Low Voltage	V _{IL}	-	-0.5	-	+0.8	V	
Input High Voltage	V _{IH}	-	+2.2	-	V _{DD} +0.5	V	
Input Leakage Current	I _{LI}	V _{IN} = V _{SS} to V _{DD}	-10	-	+10	μA	
Output Leakage Current	I _{LO}	V _{I/O} = V _{SS} to V _{DD} $\overline{CS1}$ = V _{IH} or CS2 = V _{IL} or \overline{OE} = V _{IH} or \overline{WE} = V _{IL}	-10	-	+10	μA	
Output Low Voltage	V _{OL}	I _{OL} = +8.0 mA	-	-	0.4	V	
Output High Voltage	V _{OH}	I _{OH} = -4.0 mA	2.4	-	-	V	
Operating Power Supply Current	I _{DD}	$\overline{CS1}$ = V _{IL} , CS2 = V _{IH} I/O = 0 mA, Cycle = min. Duty = 100%	15	-	-	200	mA
			20	-	-	160	
			25	-	-	160	
			35	-	-	140	
Standby Power Supply Current	I _{SB}	$\overline{CS1}$ = V _{IH} or CS2 = V _{IL} Cycle = min., Duty = 100%	-	-	30	mA	
	I _{SB1}	$\overline{CS1}$ ≥ V _{DD} -0.2V or CS2 ≤ 0.2V	-	-	10	mA	

Note: Typical characteristics are at V_{DD} = 5V, T_A = 25° C.



CAPACITANCE

(V_{DD} = 5V, T_A = 25° C, f = 1 MHz)

PARAMETER	SYM.	CONDITIONS	MAX.	UNIT
Input Capacitance	C _{IN}	V _{IN} = 0V	8	pF
Input/Output Capacitance	C _{I/O}	V _{OUT} = 0V	10	pF

Note: These parameters are sampled but not 100% tested.

THERMAL RESISTANCE

PARAMETER	SYM.	CONDITIONS	MAX.	UNIT
Junction to Case Thermal Resistance	θ _{JC}	A. F. R. = 1m/sec, T _A = 25° C	20	°C/W
Junction to Ambient Thermal Resistance	θ _{JA}	A. F. R. = 1m/sec, T _A = 25° C	60	°C/W

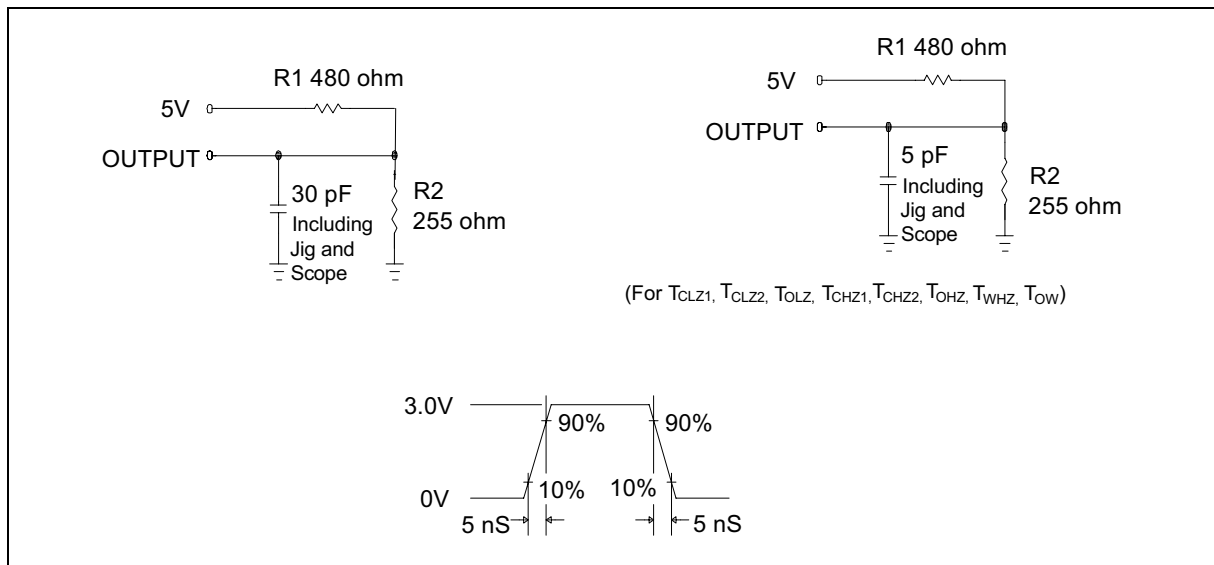
Note: These parameters are only applied to "TSOP" and "SOJ" package types.

AC CHARACTERISTICS

AC Test Conditions

PARAMETER	CONDITIONS
Input Pulse Levels	0V to 3V
Input Rise and Fall Times	5 nS
Input and Output Timing Reference Level	1.5V
Output Load	C _L = 30 pF, I _{OH} /I _{OL} = -4 mA/8 mA

AC Test Loads and Waveform





AC Characteristics, continued

(V_{DD} = 5V ±10%, V_{SS} = 0V, T_A = 0 to 70° C)

Read Cycle

PARAMETER	SYM.	W24512A-15		W24512A-25		W24512A-25		W24512A-35		UNIT	
		MIN.	MAX.	MIN.	MAX.	MIN.	MAX.	MIN.	MAX.		
Read Cycle Time	T _{RC}	15	-	20	-	25	-	35	-	nS	
Address Access Time	T _{AA}	-	15	-	20	-	25	-	35	nS	
Chip Select Access Time	$\overline{\text{CS1}}$	T _{ACS1}	-	15	-	20	-	25	-	35	nS
	$\overline{\text{CS2}}$	T _{ACS2}	-	15	-	20	-	25	-	35	nS
Output Enable to Output Valid	T _{AOE}	-	7	-	10	-	12	-	17	nS	
Chip Selection to Output in Low Z	$\overline{\text{CS1}}$	T _{CLZ1*}	3	-	3	-	3	-	3	-	nS
	$\overline{\text{CS2}}$	T _{CLZ2*}	3	-	3	-	3	-	3	-	nS
Output Enable to Output in Low Z	T _{OLZ*}	0	-	0	-	0	-	0	-	nS	
Chip Deselection to Output in High Z	$\overline{\text{CS1}}$	T _{CHZ1*}	-	7	-	10	-	12	-	17	nS
	$\overline{\text{CS2}}$	T _{CHZ2*}	-	7	-	10	-	12	-	17	nS
Output Disable to Output in High Z	T _{OHZ*}	-	7	-	1	-	12	-	17	nS	
Output Hold from Address Change	T _{OH}	3	-	3	-	3	-	3	-	nS	

* These parameters are sampled but not 100% tested.

Write Cycle

PARAMETER	SYM.	W24512A-15		W24512A-25		W24512A-25		W24512A-35		UNIT	
		MIN.	MAX.	MIN.	MAX.	MIN.	MAX.	MIN.	MAX.		
Write Cycle Time	T _{WC}	15	-	20	-	25	-	35	-	nS	
Chip Selection to End of Write	$\overline{\text{CS1}}$	T _{CW1}	13	-	17	-	18	-	20	-	nS
	$\overline{\text{CS2}}$	T _{CW2}	13	-	17	-	18	-	20	-	nS
Address Valid to End of Write	T _{AW}	13	-	17	-	18	-	20	-	nS	
Address Setup Time	T _{AS}	0	-	0	-	0	-	0	-	nS	
Write Pulse Width	T _{WP}	10	-	12	-	15	-	18	-	nS	
Write Recovery Time	$\overline{\text{CS1}}, \overline{\text{WE}}$	T _{WR1}	0	-	0	-	0	-	0	-	nS
	$\overline{\text{CS2}}$	T _{WR2}	0	-	0	-	0	-	0	-	nS
Data Valid to End of Write	T _{DW}	9	-	10	-	12	-	15	-	nS	
Data Hold from End of Write	T _{DH}	0	-	0	-	0	-	0	-	nS	
Write to Output in High Z	T _{WHZ*}	-	8	-	10	-	12	-	15	nS	
Output Disable to Output in High Z	T _{OHZ*}	-	8	-	10	-	12	-	15	nS	
Output Active from End of Write	T _{OW}	0	-	0	-	0	-	0	-	nS	

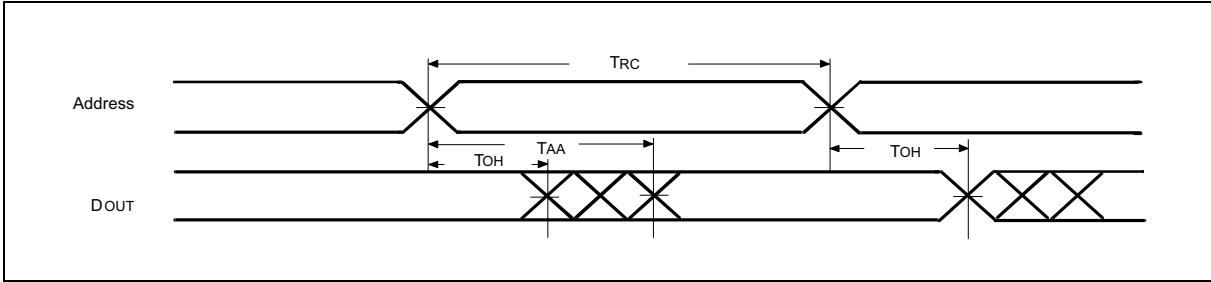
* These parameters are sampled but not 100% tested.



TIMING WAVEFORMS

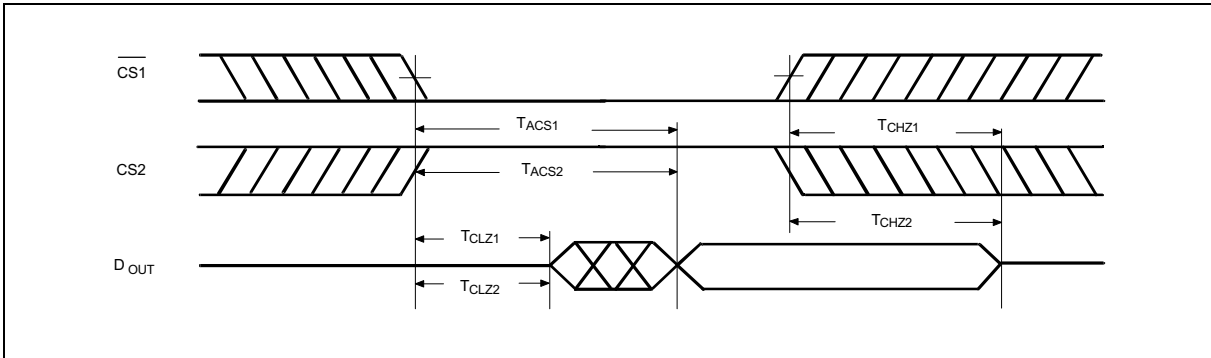
Read Cycle 1

(Address Controlled)



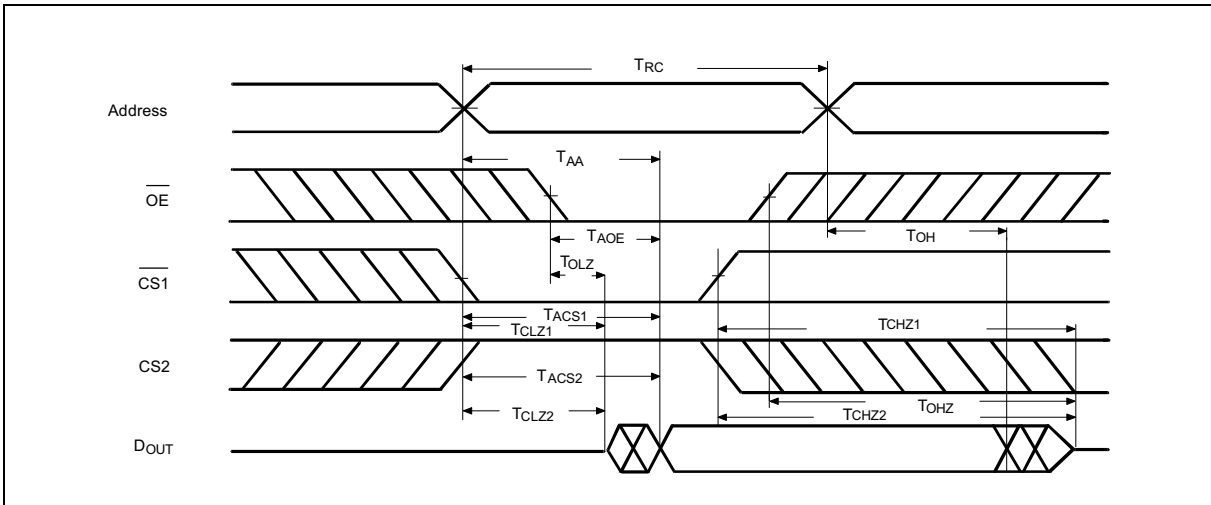
Read Cycle 2

(Chip Select Controlled)



Read Cycle 3

(Output Enable Controlled)

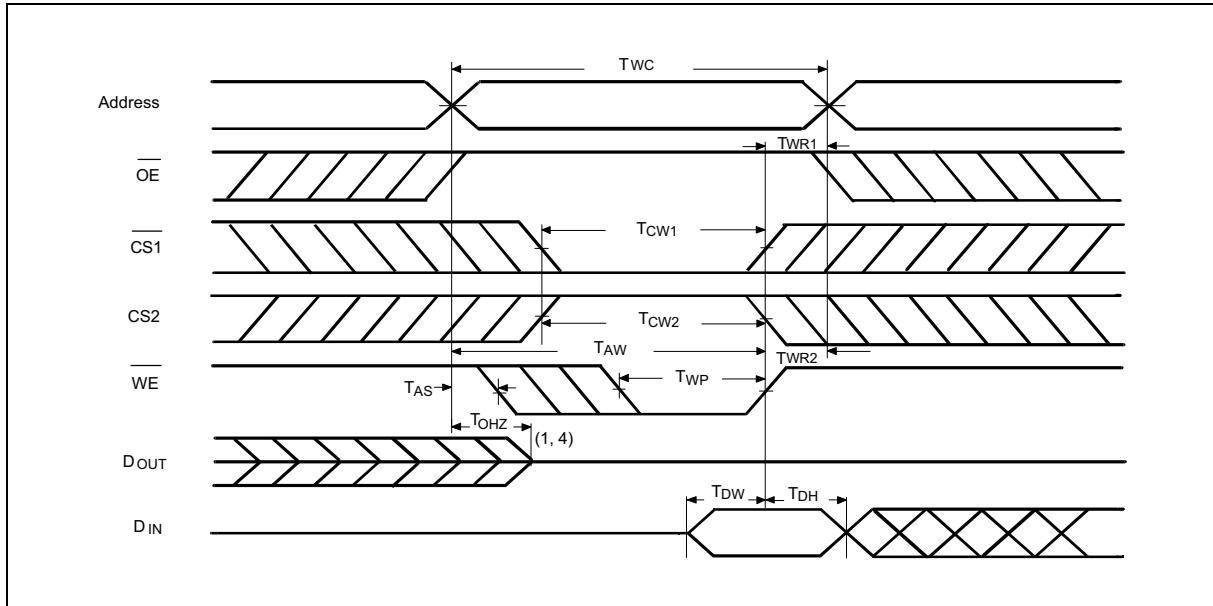




Timing Waveforms, continued

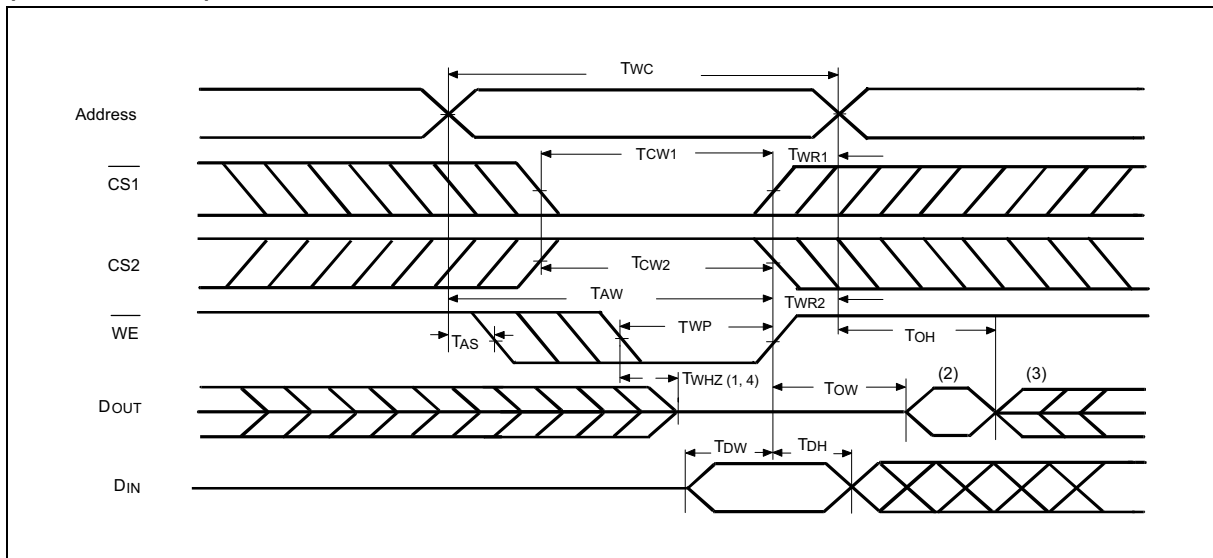
Write Cycle 1

(\overline{OE} Clock)



Write Cycle 2

($\overline{OE} = V_{IL}$ Fixed)



Notes:

1. During this period, I/O pins are in the output state, so input signals of opposite phase to the outputs should not be applied.
2. The data output from DOUT are the same as the data written to DIN during the write cycle.
3. DOUT provides the read data for the next address.
4. Transition is measured ± 500 mV from steady state with $C_L = 5$ pF. This parameter is guaranteed but not 100% tested.



ORDERING INFORMATION

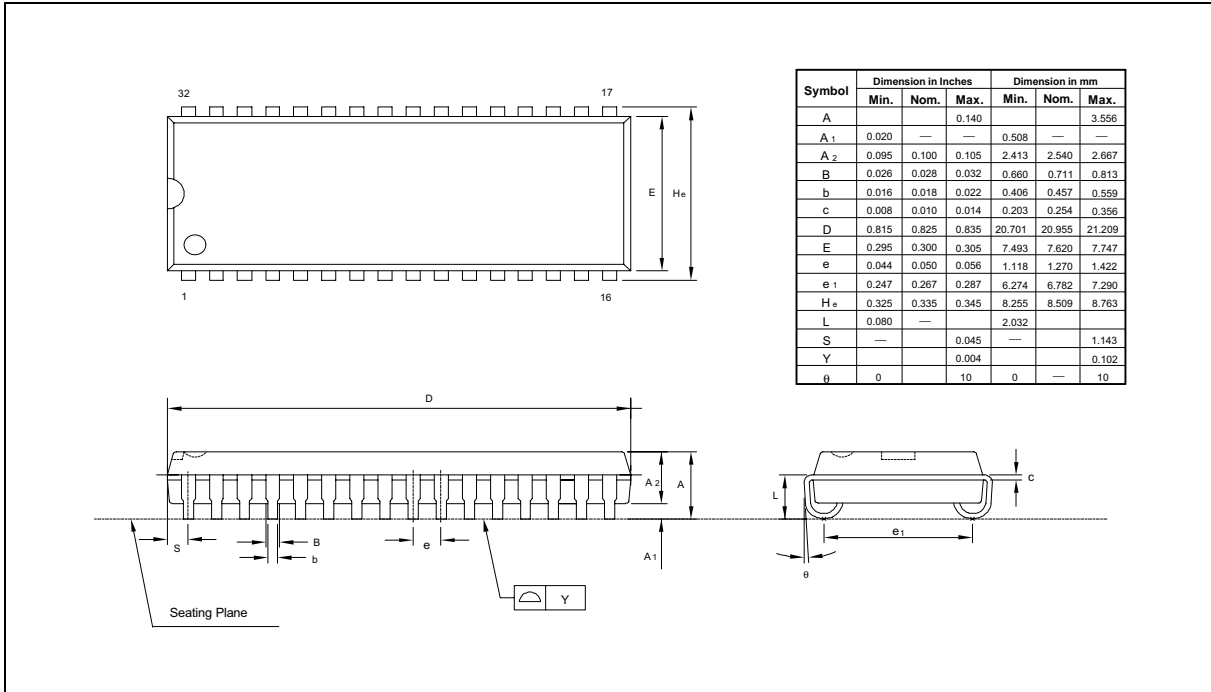
PART NO.	ACCESS TIME (nS)	OPERATING CURRENT MAX. (mA)	STANDBY CURRENT MAX. (mA)	PACKAGE
W24512AK-15	15	200	10	300 mil skinny DIP
W24512AK-20	20	160	10	300 mil skinny DIP
W24512AK-25	25	160	10	300 mil skinny DIP
W24512AK-35	35	140	10	300 mil skinny DIP
W24512AJ-15	15	200	10	300 mil SOJ
W24512AJ-20	20	160	10	300 mil SOJ
W24512AJ-25	25	160	10	300 mil SOJ
W24512AJ-35	35	140	10	300 mil SOJ
W24512AS-15	15	200	10	450 mil SOP
W24512AS-20	20	160	10	450 mil SOP
W24512AS-25	25	160	10	450 mil SOP
W24512AS-35	35	140	10	450 mil SOP
W24512AT-15	15	200	10	standard type one TSOP
W24512AT-20	20	160	10	standard type one TSOP
W24512AT-25	25	160	10	standard type one TSOP
W24512AT-35	35	140	10	standard type one TSOP

Notes:

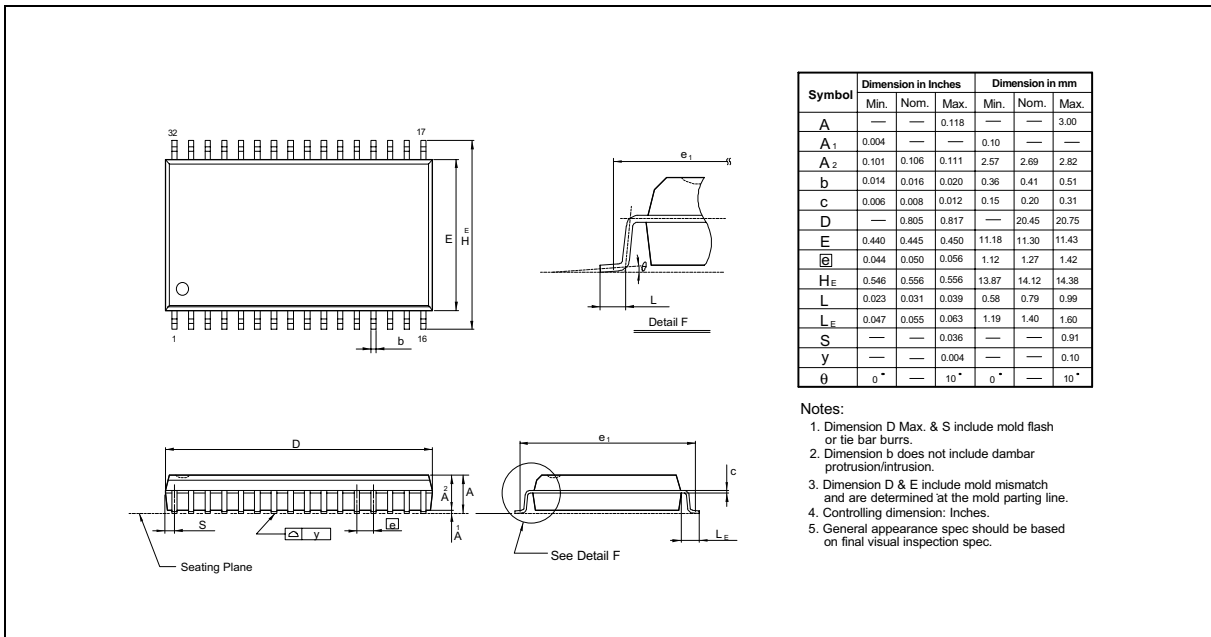
1. Winbond reserves the right to make changes to its products without prior notice.
2. Purchasers are responsible for performing appropriate quality assurance testing on products intended for use in applications where personal injury might occur as a consequence of product failure.

PACKAGE DIMENSIONS

32-pin SOJ

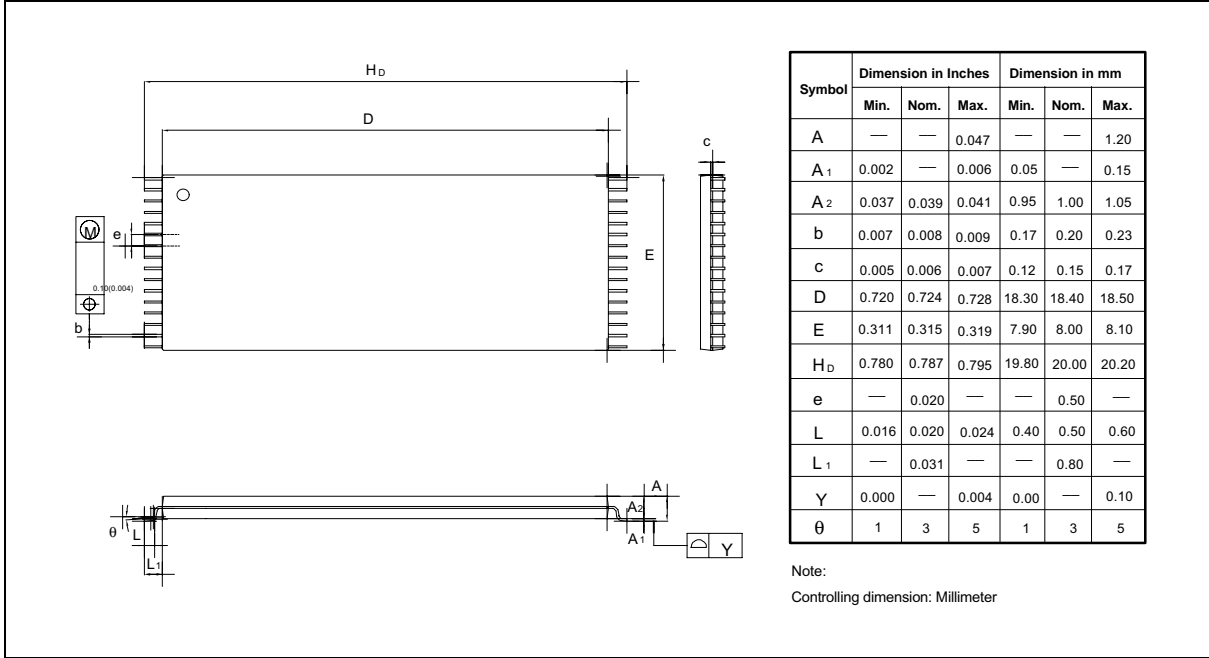


32-pin SO Wide Body

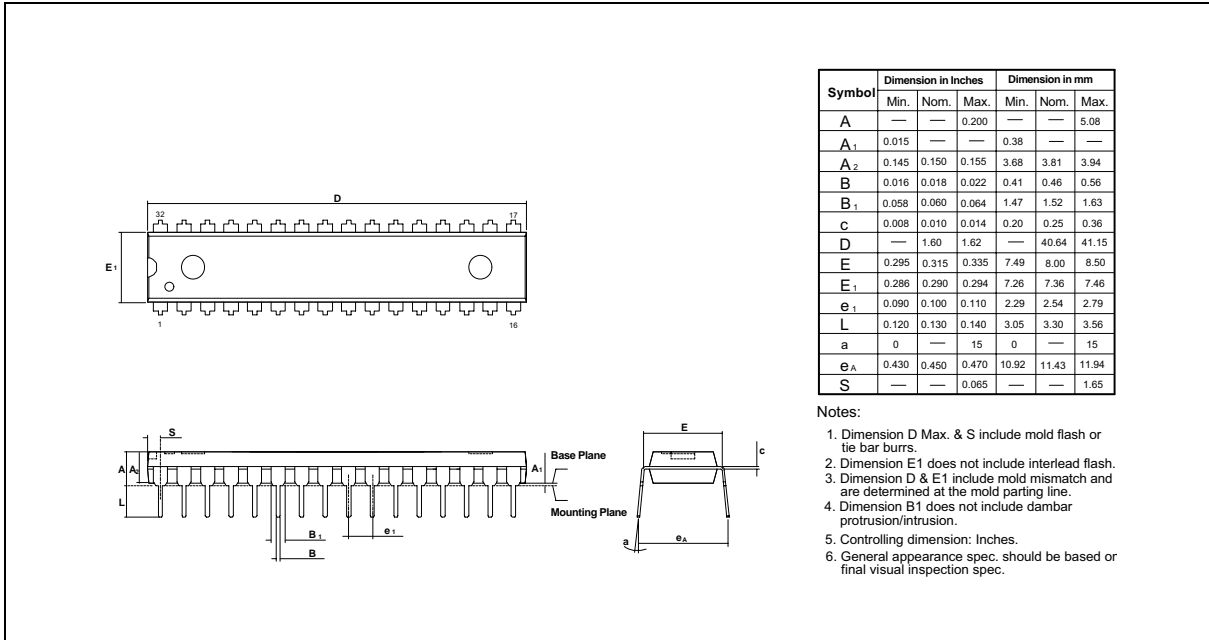


Package Dimensions, continued

32-pin TSOP



32-pin P-DIP Skinny (300 mil)





VERSION HISTORY

VERSION	DATE	PAGE	DESCRIPTION
A7	Mar. 1999	-	Arrange access time for 15/20/25/35 nS



Headquarters

No. 4, Creation Rd. III,
Science-Based Industrial Park,
Hsinchu, Taiwan
TEL: 886-3-5770066
FAX: 886-3-5792647
<http://www.winbond.com.tw/>
Voice & Fax-on-demand: 886-2-7197006

Taipei Office

11F, No. 115, Sec. 3, Min-Sheng East Rd.,
Taipei, Taiwan
TEL: 886-2-7190505
FAX: 886-2-7197502

Winbond Electronics (H.K.) Ltd.

Rm. 803, World Trade Square, Tower II,
123 Hoi Bun Rd., Kwun Tong,
Kowloon, Hong Kong
TEL: 852-27513100
FAX: 852-27552064

Winbond Electronics North America Corp.

Winbond Memory Lab.
Winbond Microelectronics Corp.
Winbond Systems Lab.
2730 Orchard Parkway, San Jose,
CA 95134, U.S.A.
TEL: 1-408-9436666
FAX: 1-408-9436668

Note: All data and specifications are subject to change without notice.